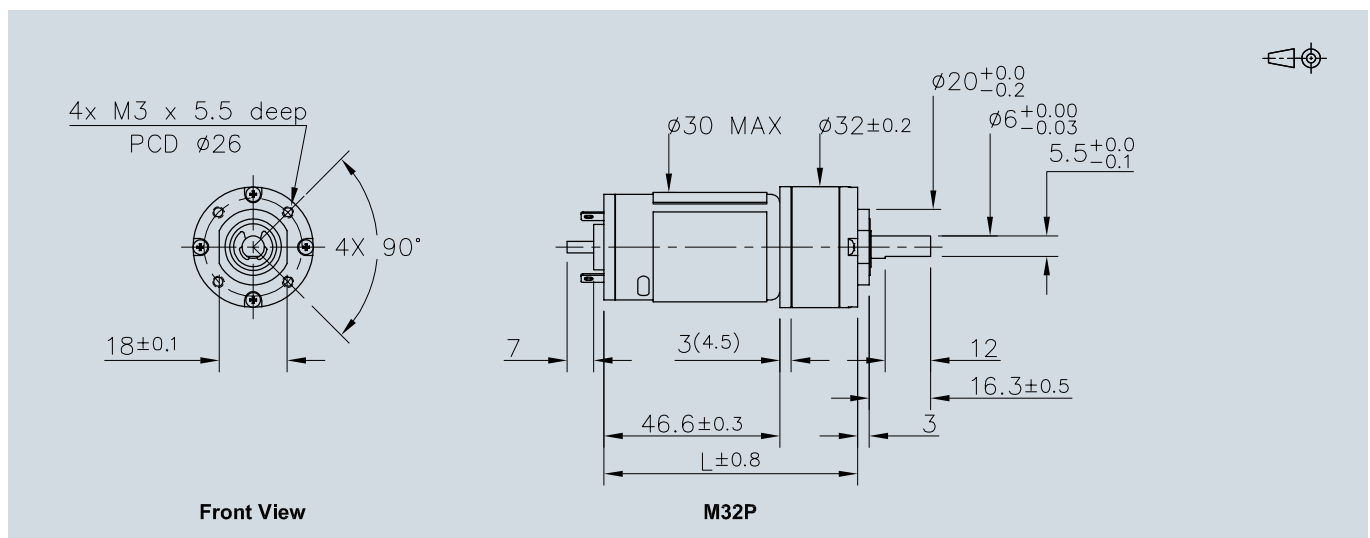


Series M32P

	M32P...	YSGT3	YSGT4	YBGT3	YBGT4	
Nominal voltage	U_N	12	24	12	24	Volt
Winding resistance	R	±15%	1.80	7.50	1.80	Ω
Output power	$P_{2 \text{ max.}}$		19.11	18.25	19.11	W
No-load speed (motor)	n_o	±12%	7,300	7,300	7,300	rpm
Speed constant	k_n		622	312	622	rpm/V
Back-EMF constant	k_E		1.61	3.21	1.61	mV/rpm
Torque constant	k_M		15.34	30.61	15.34	mNm/A
Current constant	k_I		0.065	0.033	0.065	A/mNm
Slope of n-M curve	$\Delta n/\Delta M$		71	75	71	rpm/mNm
Rotor inductance	L		1,100	4,700	1,100	μH
Rotor inertia	J		12	12	12	gcm ²
Bearings on output shaft			sintered bronze bearings		ball bearings	
Housing material			metal		metal	
Geartrain material			metal		metal	
Backlash, at no-load			≤ 2.5°		≤ 2.5°	
Shaft load max.:						
– radial at (10 mm from bearing)			≤ 29.4 N		≤ 34.3 N	
– axial			≤ 24.5 N		≤ 24.5 N	
Shaft press fit force, max.			≤ 98 N		≤ 58.8 N	
Shaft play:						
– radial			≤ 0.05 mm		≤ 0.04 mm	
– axial			≤ 0.3 mm		≤ 0.3 mm	
Operating temperature range			– 10 to + 60 °C		– 10 to + 60 °C	

reduction ratio (nominal)	12 Volt output speed up to n_{max} rpm	24 volt output speed up to n_{max} rpm	weight g	length L mm	output torque		direction of rotation (reversible)	efficiency %
					continuous operation M max. Nm	intermittent operation M max. Nm		
5:1	1,140	1,170	212	67.20	0.04	0.13	=	80
14:1	430	445	232	73.60	0.11	0.32	=	70
19:1	310	320	232	73.60	0.15	0.44	=	70
27:1	221	229	232	73.60	0.21	0.62	=	70
35:1	170	176	232	73.60	0.26	0.79	=	70
51:1	117	121	257	80.00	0.33	1.00	=	60
71:1	83	87	257	80.00	0.46	1.38	=	60
100:1	60	62	257	80.00	0.65	1.94	=	60
139:1	44	45	257	80.00	0.89	2.68	=	60
189:1	32	34	283	86.40	0.98	2.94	=	50
264:1	24	25	283	86.40	1.18	3.53	=	50
516:1	13	13	283	86.40	1.18	3.53	=	50
721:1	9.5	9.6	283	86.40	1.18	3.53	=	50
939:1	7.2	7.2	283	86.40	1.18	3.53	=	50



How to Order a M32P

Part number	Ratio	Voltage	Gearhead bearing	Stocked items
M32P0005YSGT3	5:1	12	sleeve	
M32P0014YSGT3	14:1	12	sleeve	
M32P0019YSGT3	19:1	12	sleeve	
M32P0027YSGT3	27:1	12	sleeve	
M32P0035YSGT3	35:1	12	sleeve	
M32P0051YSGT3	51:1	12	sleeve	
M32P0071YSGT3	71:1	12	sleeve	
M32P0100YSGT3	100:1	12	sleeve	
M32P0139YSGT3	139:1	12	sleeve	
M32P0189YSGT3	189:1	12	sleeve	
M32P0264YSGT3	264:1	12	sleeve	
M32P0516YSGT3	516:1	12	sleeve	
M32P0721YSGT3	721:1	12	sleeve	
M32P0939YSGT3	939:1	12	sleeve	
M32P0005YBGT3	5:1	12	ball	X
M32P0014YBGT3	14:1	12	ball	X
M32P0019YBGT3	19:1	12	ball	X
M32P0027YBGT3	27:1	12	ball	X
M32P0035YBGT3	35:1	12	ball	X
M32P0051YBGT3	51:1	12	ball	X
M32P0071YBGT3	71:1	12	ball	X
M32P0100YBGT3	100:1	12	ball	X
M32P0139YBGT3	139:1	12	ball	X
M32P0189YBGT3	189:1	12	ball	X
M32P0264YBGT3	264:1	12	ball	X
M32P0516YBGT3	516:1	12	ball	X
M32P0721YBGT3	721:1	12	ball	X
M32P0939YBGT3	939:1	12	ball	X
M32P0005YSGT4	5:1	24	sleeve	
M32P0014YSGT4	14:1	24	sleeve	
M32P0019YSGT4	19:1	24	sleeve	
M32P0027YSGT4	27:1	24	sleeve	
M32P0035YSGT4	35:1	24	sleeve	
M32P0051YSGT4	51:1	24	sleeve	
M32P0071YSGT4	71:1	24	sleeve	
M32P0100YSGT4	100:1	24	sleeve	
M32P0139YSGT4	139:1	24	sleeve	
M32P0189YSGT4	189:1	24	sleeve	
M32P0264YSGT4	264:1	24	sleeve	
M32P0516YSGT4	516:1	24	sleeve	
M32P0721YSGT4	721:1	24	sleeve	
M32P0939YSGT4	939:1	24	sleeve	
M32P0005YBGT4	5:1	24	ball	X
M32P0014YBGT4	14:1	24	ball	X
M32P0019YBGT4	19:1	24	ball	X
M32P0027YBGT4	27:1	24	ball	X
M32P0035YBGT4	35:1	24	ball	X
M32P0051YBGT4	51:1	24	ball	X
M32P0071YBGT4	71:1	24	ball	X
M32P0100YBGT4	100:1	24	ball	X
M32P0139YBGT4	139:1	24	ball	X
M32P0189YBGT4	189:1	24	ball	X
M32P0264YBGT4	264:1	24	ball	X
M32P0516YBGT4	516:1	24	ball	X
M32P0721YBGT4	721:1	24	ball	X
M32P0939YBGT4	939:1	24	ball	X