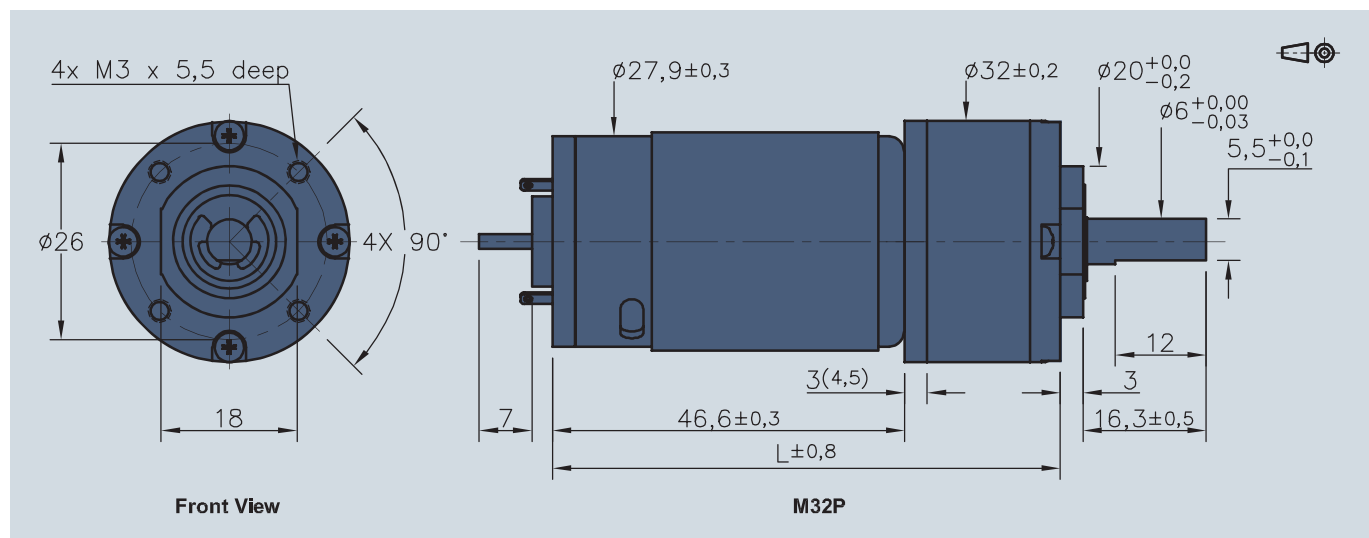


NEW**DC-Gearmotor****1,2 Nm****Series M32P**

	M32P...		YSGT3	YSGT4	YBGT3	YBGT4	
Nominal voltage	U_N		12	24	12	24	Volt
Winding resistance	R	±15%	1,80	7,50	1,80	7,50	Ω
Output power	$P_{2 \max}$		19,11	18,25	19,11	18,25	W
No-load speed (motor)	n_o	±12%	7 300	7 300	7 300	7 300	rpm
Speed constant	k_n		622	312	622	312	rpm/V
Back-EMF constant	k_E		1,61	3,21	1,61	3,21	mV/rpm
Torque constant	k_M		15,34	30,61	15,34	30,61	mNm/A
Current constant	k_I		0,065	0,033	0,065	0,033	A/mNm
Slope of n-M curve	$\Delta n/\Delta M$		71	75	71	75	rpm/mNm
Rotor inductance	L		1 100	TBD	1 100	TBD	mH
Rotor inertia	J		12	12	12	12	gcm ²
Bearings on output shaft			sintered bronze bearings		ball bearings		
Housing material			metal		metal		
Geartrain material			metal		metal		
Backlash, at no-load			≤ 2,5°		≤ 2,5°		
Shaft load max.:							
– radial at (10 mm from bearing)			≤ 29,4 N		≤ 34,3 N		
– axial			≤ 24,5 N		≤ 24,5 N		
Shaft press fit force, max.			≤ 98 N		≤ 58,8 N		
Shaft play:							
– radial			≤ 0,05 mm		≤ 0,04 mm		
– axial			≤ 0,3 mm		≤ 0,3 mm		
Operating temperature range			– 10 to + 60 °C		– 10 to + 60 °C		

reduction ratio (nominal)	12 Volt output speed up to n_{\max} rpm	24 volt output speed up to n_{\max} rpm	weight g	length L mm	output torque		direction of rotation (reversible)	efficiency %
					continuous operation M max. Nm	intermittent operation M max. Nm		
5:1	1 140	1 170	212	67,20	0,04	0,13	=	80
14:1	430	445	232	73,60	0,11	0,32	=	70
19:1	310	320	232	73,60	0,15	0,44	=	70
27:1	221	229	232	73,60	0,21	0,62	=	70
35:1	170	176	232	73,60	0,26	0,79	=	70
51:1	117	121	257	80,00	0,33	1,00	=	60
71:1	83	87	257	80,00	0,46	1,38	=	60
100:1	60	62	257	80,00	0,65	1,94	=	60
139:1	44	45	257	80,00	0,89	2,68	=	60
189:1	32	34	283	86,40	0,98	2,94	=	60
264:1	24	25	283	86,40	1,18	3,53	=	50
516:1	13	13	283	86,40	1,18	3,53	=	50
721:1	9,5	9,6	283	86,40	1,18	3,53	=	50
939:1	7,2	7,2	283	86,40	1,18	3,53	=	50



How to Order a M32P

Part number	Ratio	Voltage	Gearhead bearing	Stocked items
M32P0005YSGT3	5:1	12	sleeve	
M32P0014YSGT3	14:1	12	sleeve	
M32P0019YSGT3	19:1	12	sleeve	
M32P0027YSGT3	27:1	12	sleeve	
M32P0051YSGT3	51:1	12	sleeve	
M32P0071YSGT3	71:1	12	sleeve	
M32P0100YSGT3	100:1	12	sleeve	
M32P0139YSGT3	139:1	12	sleeve	
M32P0189YSGT3	189:1	12	sleeve	
M32P0264YSGT3	264:1	12	sleeve	
M32P0516YSGT3	516:1	12	sleeve	
M32P0721YSGT3	721:1	12	sleeve	
M32P0005YBGT3	5:1	12	ball	X
M32P0014YBGT3	14:1	12	ball	X
M32P0019YBGT3	19:1	12	ball	X
M32P0027YBGT3	27:1	12	ball	X
M32P0051YBGT3	51:1	12	ball	X
M32P0071YBGT3	71:1	12	ball	X
M32P0100YBGT3	100:1	12	ball	X
M32P0139YBGT3	139:1	12	ball	X
M32P0189YBGT3	189:1	12	ball	X
M32P0264YBGT3	264:1	12	ball	X
M32P0516YBGT3	516:1	12	ball	X
M32P0721YBGT3	721:1	12	ball	X
M32P0005YSGT4	5:1	24	sleeve	
M32P0014YSGT4	14:1	24	sleeve	
M32P0019YSGT4	19:1	24	sleeve	
M32P0027YSGT4	27:1	24	sleeve	
M32P0051YSGT4	51:1	24	sleeve	
M32P0071YSGT4	71:1	24	sleeve	
M32P0100YSGT4	100:1	24	sleeve	
M32P0139YSGT4	139:1	24	sleeve	
M32P0189YSGT4	189:1	24	sleeve	
M32P0264YSGT4	264:1	24	sleeve	
M32P0516YSGT4	516:1	24	sleeve	
M32P0721YSGT4	721:1	24	sleeve	
M32P0005YBGT4	5:1	24	ball	X
M32P0014YBGT4	14:1	24	ball	X
M32P0019YBGT4	19:1	24	ball	X
M32P0027YBGT4	27:1	24	ball	X
M32P0051YBGT4	51:1	24	ball	X
M32P0071YBGT4	71:1	24	ball	X
M32P0100YBGT4	100:1	24	ball	X
M32P0139YBGT4	139:1	24	ball	X
M32P0189YBGT4	189:1	24	ball	X
M32P0264YBGT4	264:1	24	ball	X
M32P0516YBGT4	516:1	24	ball	X
M32P0721YBGT4	721:1	24	ball	X